

MAXHUB



MAXHUB UC BM35
NEXT-LEVEL COLLABORATION

Bluetooth Teleconference Speakerphone

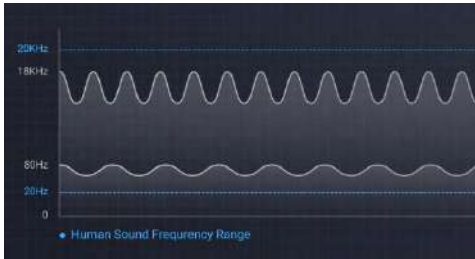
Unlock a new level of meeting clarity with the next-generation BM35 speakerphone. Crystal clear audio combines with a powerful pick-range to transform any small to mid-sized meeting space. Break free from the restrictions of wired devices with an agile, flexible solution that adapts as quickly as your team. In the home, the business office, or anywhere else, the BM35 is the ultimate part for clear conversations.



➤ Superior Treble and Bass



➤ Tweeter + Woofer Combo Speaker



➤ 80Hz-18kHz Sound Frequency Covered



Amplify Conference Quality with Superior Sound

Portability and practicality come together in a powerful audio device, built for better meetings. The BM35 is optimized to keep human voices clear. Capturing every utterance in perfect detail, the BM35 empowers any team. Hi-Fi sound quality also ensures exceptional listening experiences when playing music or videos.

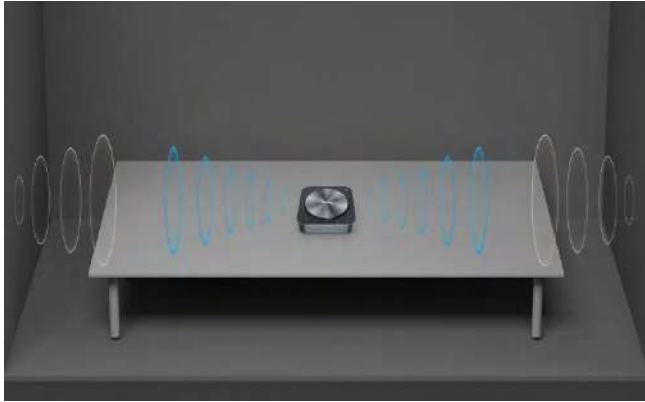
The BM35 is proof that big things really can come in small packages. This compact powerhouse combines exceptional immersive sound.

Exceptional Coverage without Distortion

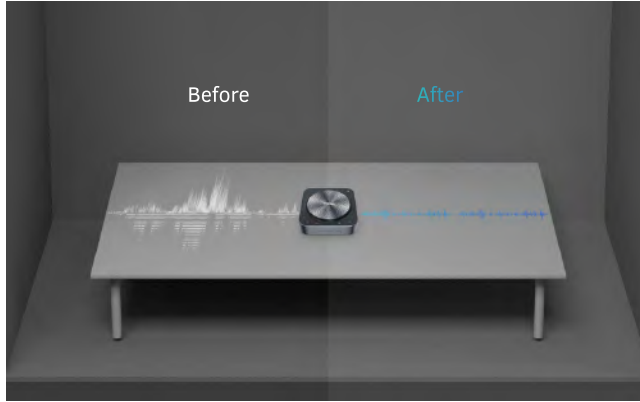
360° omnidirectional audio algorithms capture voices up to 6 meters away, so everyone in your meeting can make their voices heard. A powerful 8-microphone array gives depth to conversations, ensuring every detail comes through loud and clear.

➤ 8-microphone Array

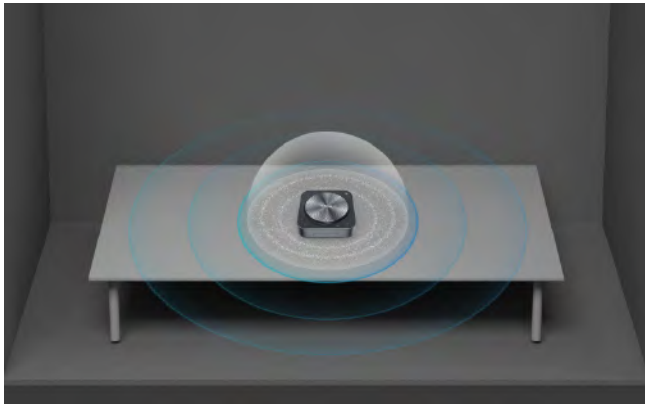




> Reverberation Suppression



> AI Noise Cancellation



> Acoustic Echo Canceller ¹



> Direction of Arrival ²

Say Goodbye to Background Noise

State-of-the-art reverberation suppression keeps unnecessary distractions to an absolute minimum. Even in glass meeting rooms, the BM35 will intelligently absorb echo and localize the sound to keep the attention on your people.

Supported by AI noise cancellation and AEC, the BM35 filters through the noise to improve focus and enhance collaborative experiences.

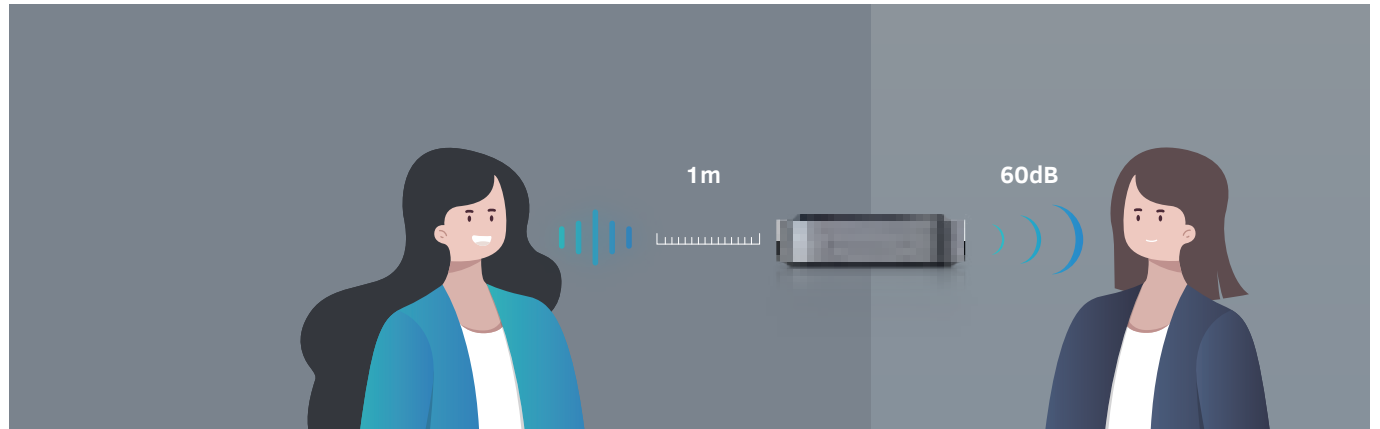
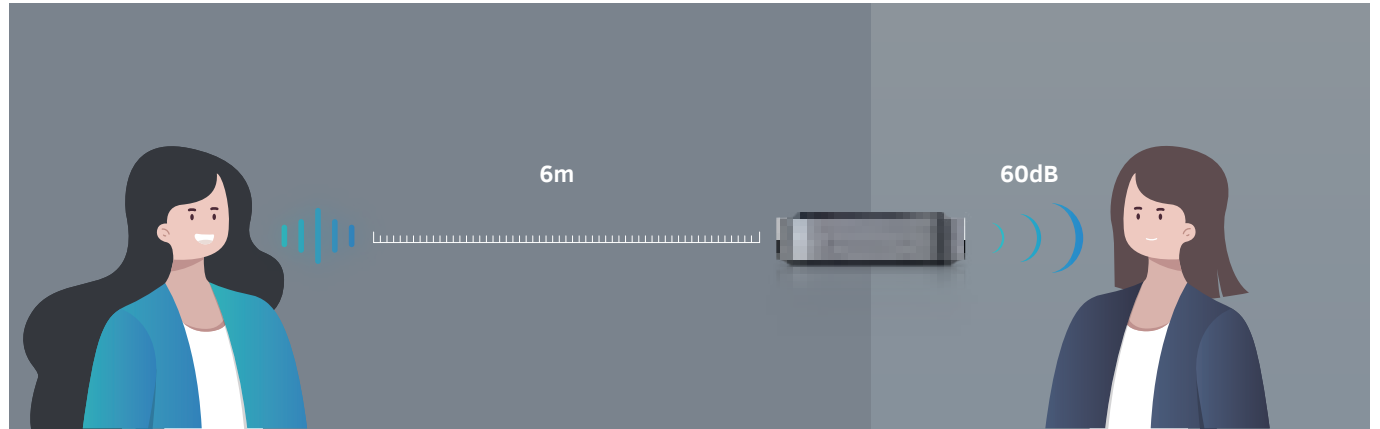
*1: AEC can intelligently ignore the audio made by the speaker itself.

*2: DOA can localize the sound.

Consistent Volume for Smoother Conversations

Talking in a conference should feel just as smooth and natural as a face-to-face discussion. With the BM35, your contacts will feel like you're right there in the room. Intelligent algorithms adjust the volume of participant voices dynamically, to ensure a consistent output on the other end.

With Automatic Gain Control, you'll keep fluctuating volumes to a minimum, even when users are moving while they speak.





Unlock More Natural Communications

Bring meeting participants closer together with immersive, disruption-free sound. Both parties can communicate in real-time, without interferences, thanks to full-duplex audio. The BM35 distributes audio from each side through separate channels, for a beautifully organic approach to modern meetings.

Expandable to Suit Any Larger Space

Bluetooth gives you the freedom to expand your BM35 experience to suit any meeting room. Connect via True Wireless Stereo to enhance the pickup range of your microphones and double your reach. The BM35 can evolve to capture and relay audio to more than 20 people, as well as provide phenomenal stereo sound.





Flexible, Like Your Team

Connect the BM35 to user devices however you choose, with a variety of options to choose from. Plug-and-play type C connections, Bluetooth dongles, and NFC connections offer something for everyone.

Keep the Conversation Going

With a built-in 4400mAh battery, there's no need to cut any meeting short. Collaborate seamlessly for up to 15 hours with no pesky power problems.

15H

Specification

Microphone

Quantity	8
Voice Pickup Range	6m
Type	Digital microphone
Frequency Range	USB: 100Hz~12kHz Bluetooth: 100Hz~7.5kHz

Speaker

Sound Channel	1.1
Output Power	5W+3W
Maximum Sound Pressure Level	80dB SPL@1m
Distortion	< 7% (80Hz~350Hz); < 3% (351Hz~4kHz); < 5% (4.1kHz~18kHz)
Signal to Noise Ratio	> 75dB
Frequency Range	80Hz~18kHz

I/O Ports

Interface	USB Type-C
Button	Physical Buttons, Touch Buttons
LED Indicator light	Annular LED

Battery

Type	Lithium-ion Battery
Battery Capacity	3.7V/4400mAh
Battery Charging	Wired: 5V/1A
Battery Life (Conversation)	15hours
Battery Life (Music)	8hours

Bluetooth

Version	BT5.3
Operating Frequency	2.4GHz
Operating Distance	10m

Bluetooth

Compatibility	Support audio playback, HD audio input, Compatible with Windows 7/8/8.1/10, MAC OS10.10 and above
---------------	---------------------------------------------------------------------------------------------------------

Physical Specification

Dimension(L×W×H)	126.7x126.7x35.3mm
Dimension(package) L×W×H	1pcs 225×158×50mm 20pcs 472×335×292mm
Net Weight	0.47Kg
Gross Weight	1pcs 0.71kg 20pcs 16.89kg

Accessory

USB Type-C Cable	×1
USB Dongle	×1

Environmental Condition

Operation Temperature	0℃~40℃
Operation Humidity	10%~90%RH
Storage Temperature	-20℃~60℃
Storage Humidity	10%~90%RH
Altitude	Below 5000 meters

Package Contents

UC BM35 Speakerphone	1
USB Dongle	1
USB Cable(1m)	1

Warranty

Speakphone	3 years
Accessories	1 year