

## Single-Gang, Horizontal QuickPort® Wallplate 2-Port

### APPLICATION

The Leviton Single-Gang, Horizontal QuickPort Wallplate accepts QuickPort snap-in modules to support multimedia station applications with up to two ports. It is available in white.



### SPECIFICATION

The wallplate housing shall be a one-piece, horizontal single-gang flush-mount style that fits standard NEMA openings and accommodates low-voltage box eliminators. It shall provide two ports and shall be able to accept all Leviton QuickPort modules. It shall be made of high-impact, fire-retardant plastic rated UL 94V-0, and be cULus Listed and compliant with ANSI/TIA-568-C.0 specifications. Wallplate shall be compatible with both imperial and metric back boxes. Wallplate package shall include color matched imperial screws and bright zinc finished metric screws.

### FEATURES

- Horizontal port openings to match regional installation standards
- Includes color-match imperial slotted screws as well as bright zinc finished metric slotted screws
- Fits within minimum rectangular NEMA openings and accommodates low-voltage box eliminators for a flush mount
- Compatible with all individual Leviton QuickPort modules
- Individual port configurability allows specification flexibility

### DESIGN CONSIDERATIONS

- Single-gang fits standard NEMA single-gang back boxes
- Put blanks (41084-0B\*) in unused ports for future expansion

### STANDARDS COMPLIANCE

- cULus Listed (UL 1863 & CAN/CSA-C22.2 No. 182.4)
- ANSI/TIA-568-C.0

### PHYSICAL SPECIFICATIONS

Dimensions: See page two

Materials: High-impact, fire-retardant plastic rated UL 94V-0

Capacity: Available with two ports

### COUNTRY OF ORIGIN

China

### WARRANTY INFORMATION

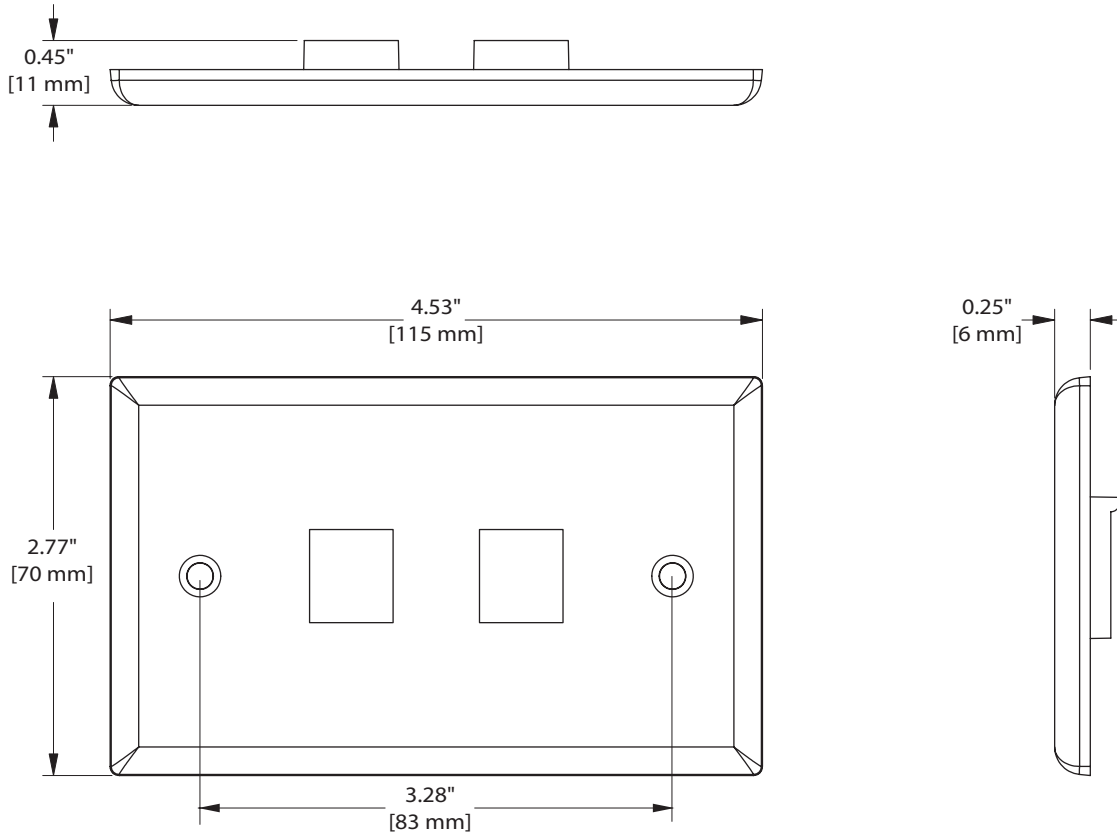
For a copy of Leviton product warranties, visit [www.leviton.com/warranty](http://www.leviton.com/warranty).

41070-2WS

**ELECTRONIC FILES**

For CAD files, typical specs, or technical drawings (.DXF, .DWG), visit [www.leviton.com](http://www.leviton.com).

**41070-2WS**



**SINGLE-GANG HORIZONTAL QUICKPORT® WALLPLATE**

Description	White
2-Port Horizontal Wallplate	41070-2WS

Wallplates sold empty.



<b>Leviton Network Solutions</b> 2222 - 222nd St. SE Bothell, WA 98021-4416  tel 1-800-824-3005 tel +1-425-486-2222 appeng@leviton.com www.leviton.com	<b>Asia / Pacific</b> T +1.631.812.6228 E infoasean@leviton.com	<b>Canada</b> T +1.514.954.1840 E pcservice@leviton.com	<b>Caribbean</b> T +1.954.593.1896 E infocaribbean@leviton.com	<b>China</b> T +852.2774.9876 E infochina@leviton.com	<b>Colombia</b> T +57.1.743.6045 E infocolombia@leviton.com
	<b>Europe</b> T +44.0.1592.772124 E customerservice@brand-rex.com	<b>India / SAARC</b> T +971.4.886.4722 E infoindia@leviton.com	<b>Mexico</b> T +52.55.5082.1040 E lsamarketing@leviton.com	<b>Middle East &amp; Africa</b> T +971.4.886.4722 E lmeinfo@leviton.com	<b>South Korea</b> T +82.2.3273.9963 E infokorea@leviton.com